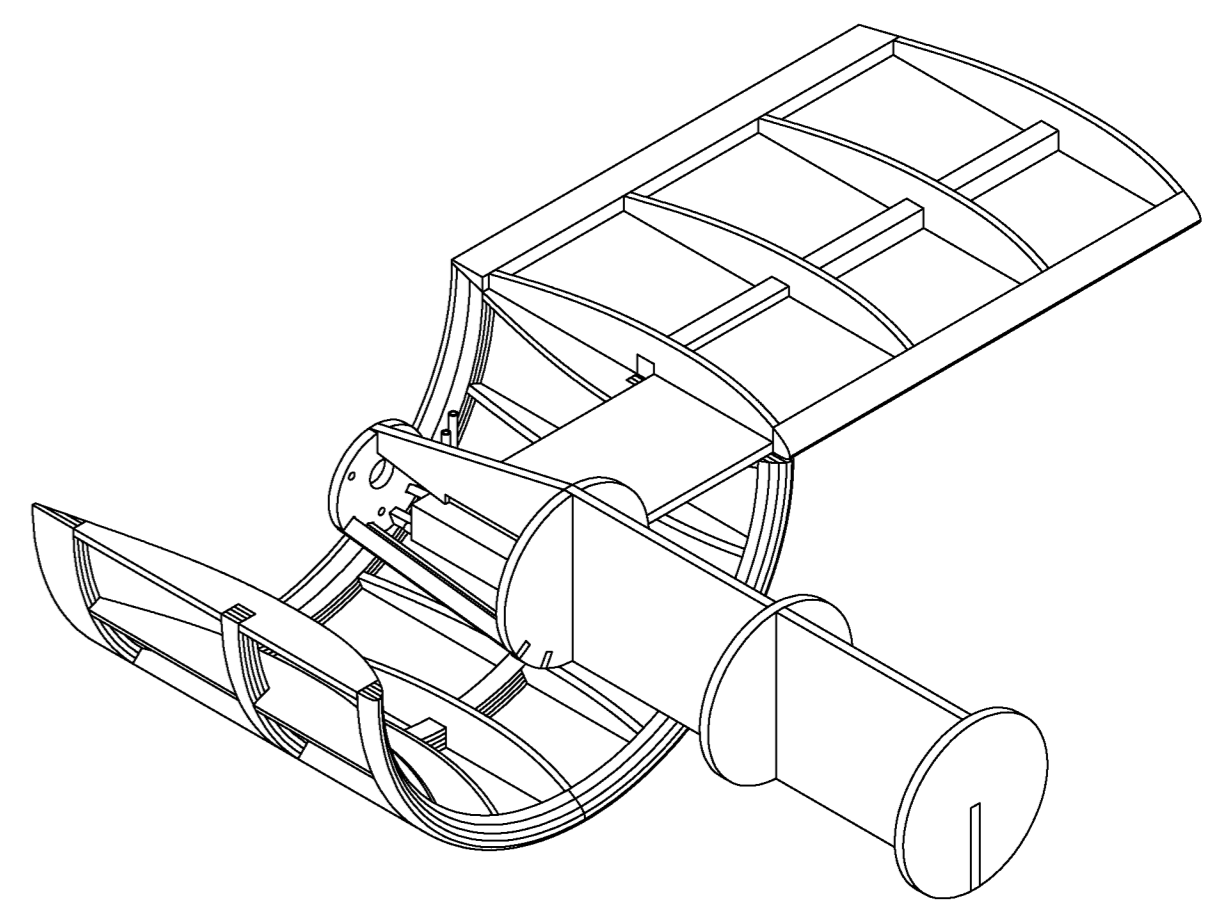
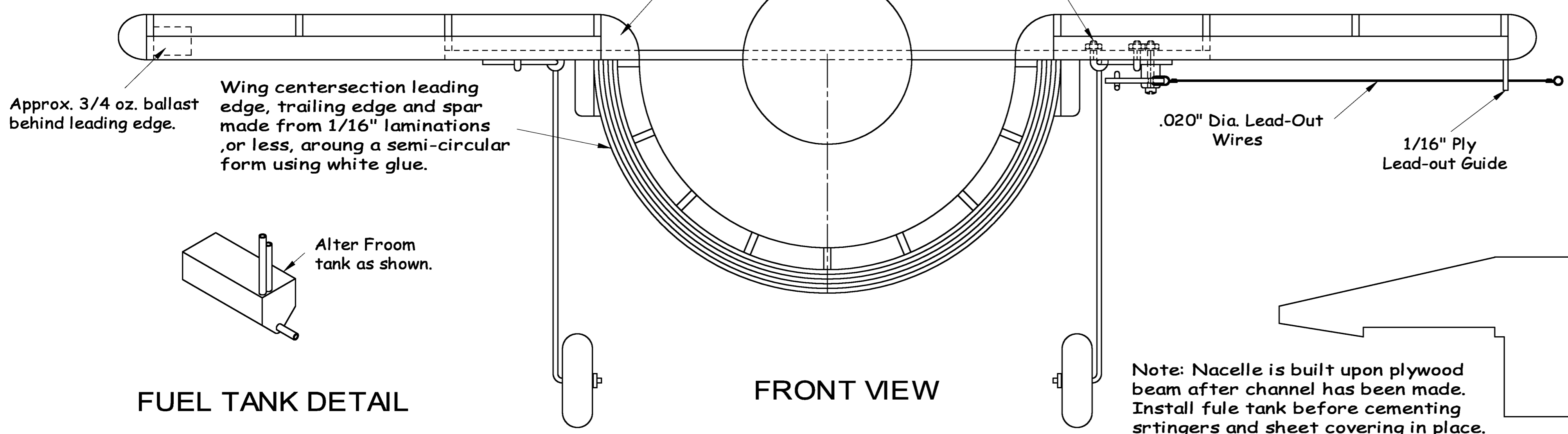
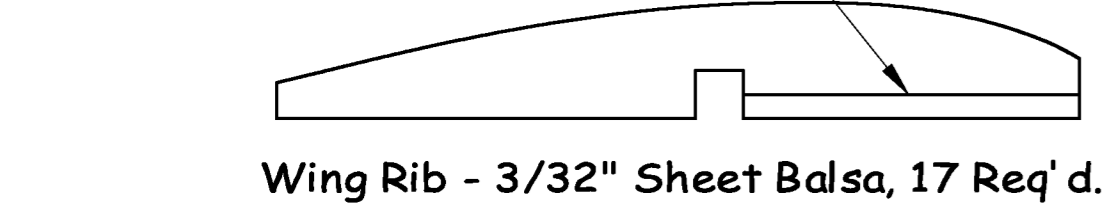
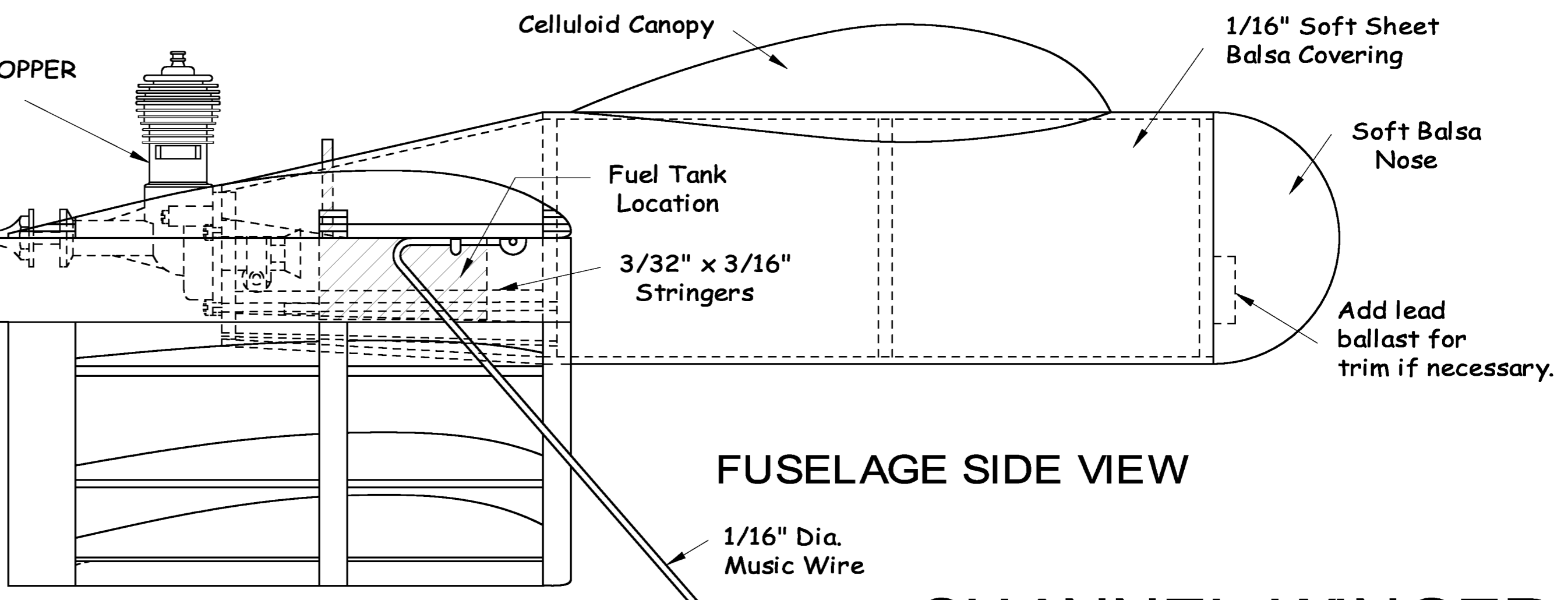
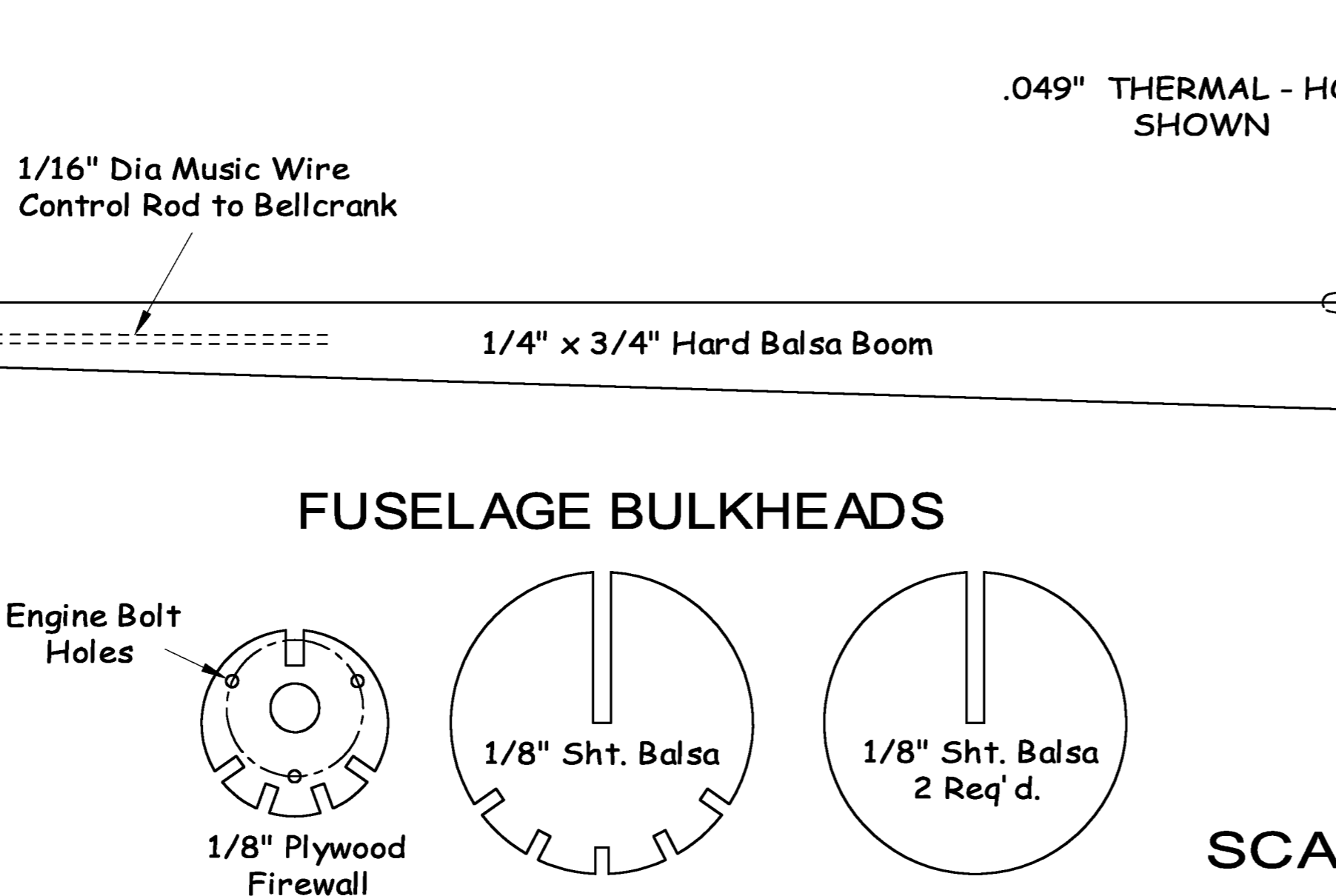
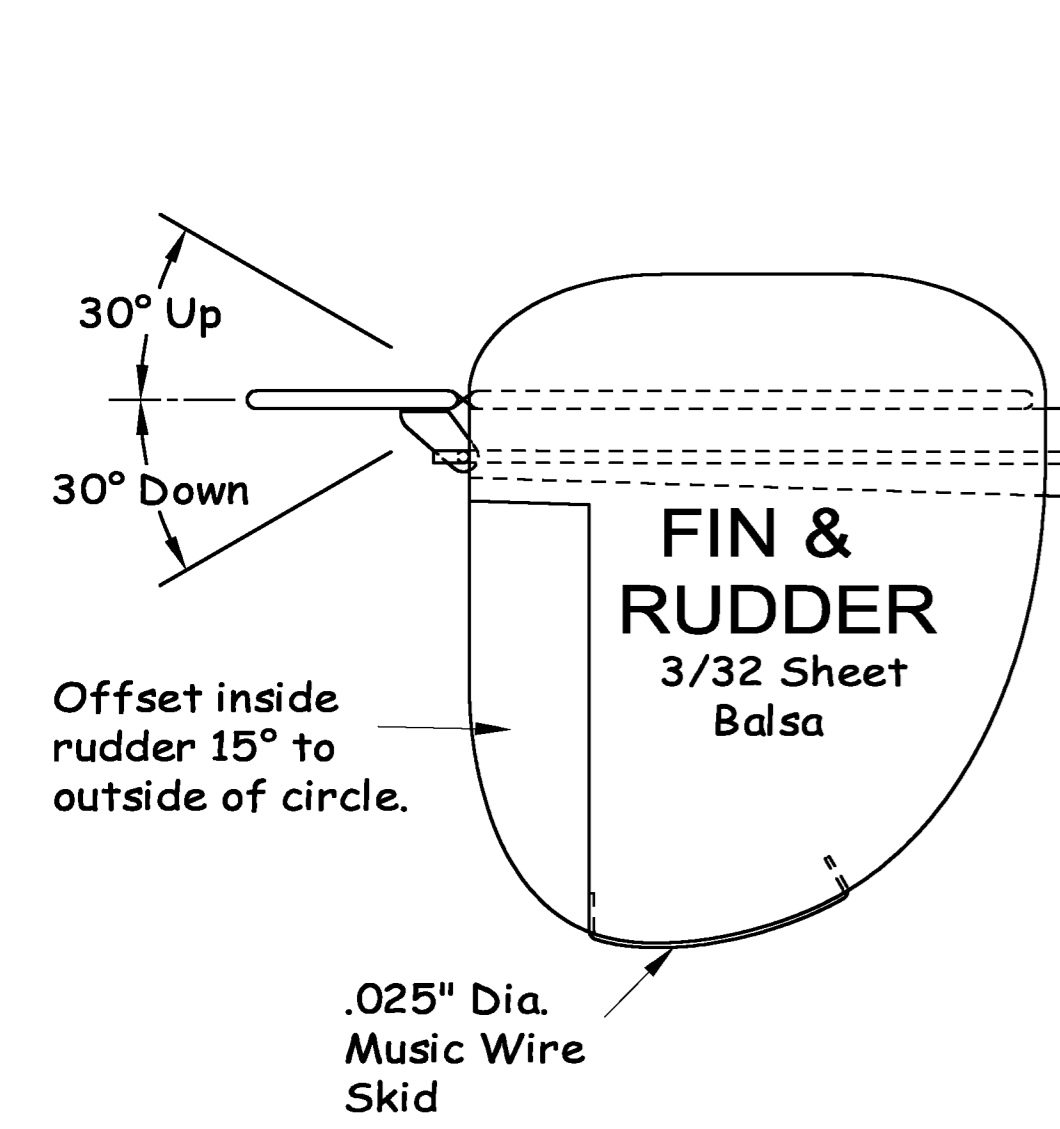
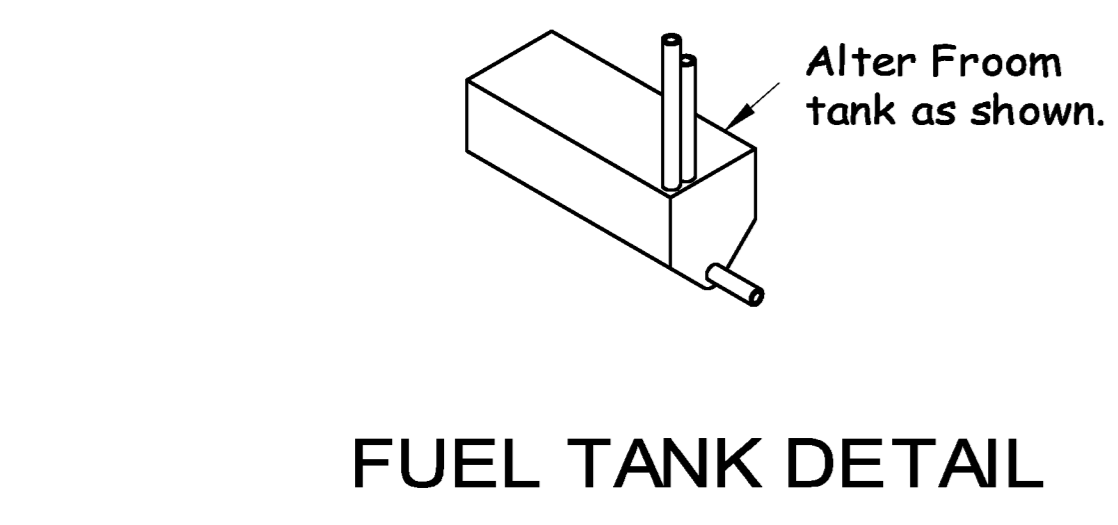


Cut out for Plywood Beam on four Ribs
 1/8" Plywood Beam
 Landing Gear Strut "J" Bolt Holes
 Lead-Out Line Position



Approx. 3/4 oz. ballast behind leading edge.
 Wing centersection leading edge, trailing edge and spar made from 1/16" laminations, or less, around a semi-circular form using white glue.



CHANNEL WINGER

By Roy Clough Jr.
 Air Trails -- July 1954
 Cad By Gene Rock